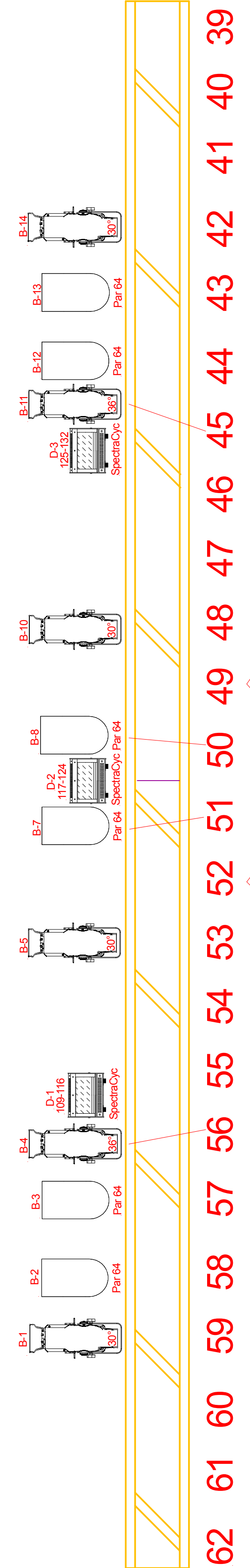
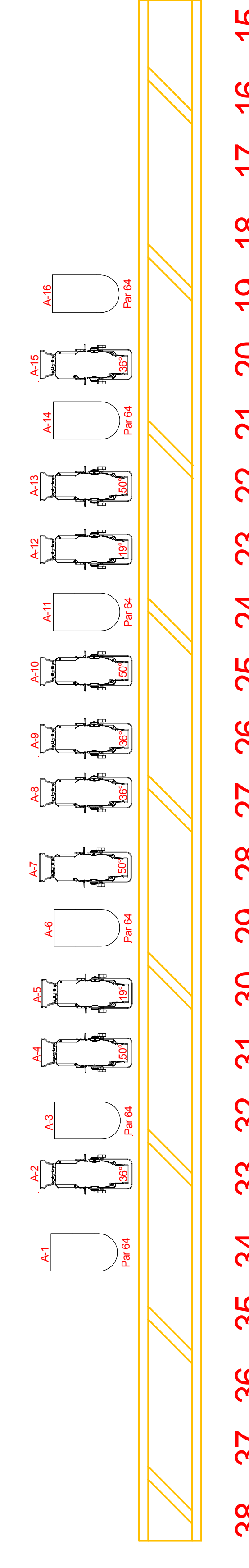
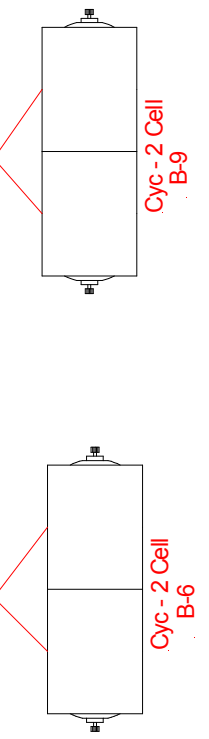


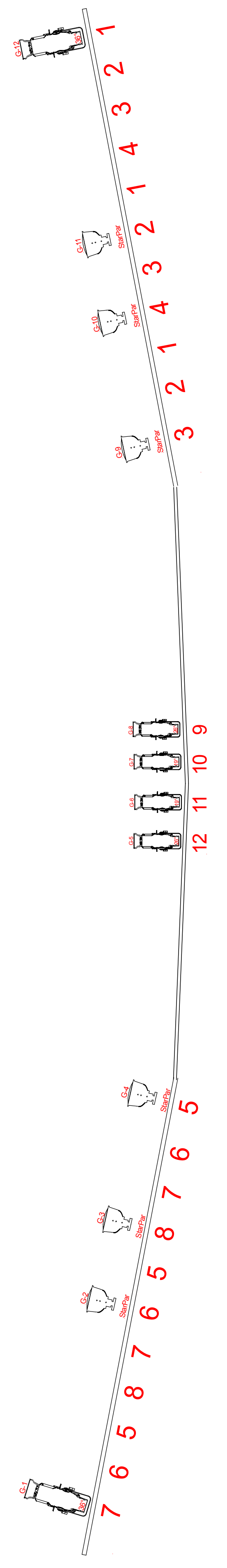
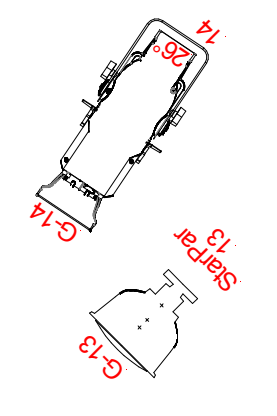
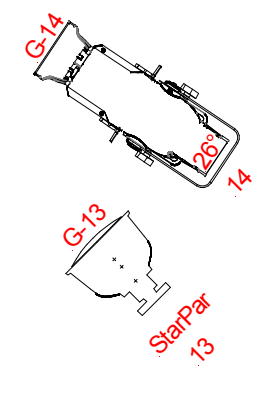
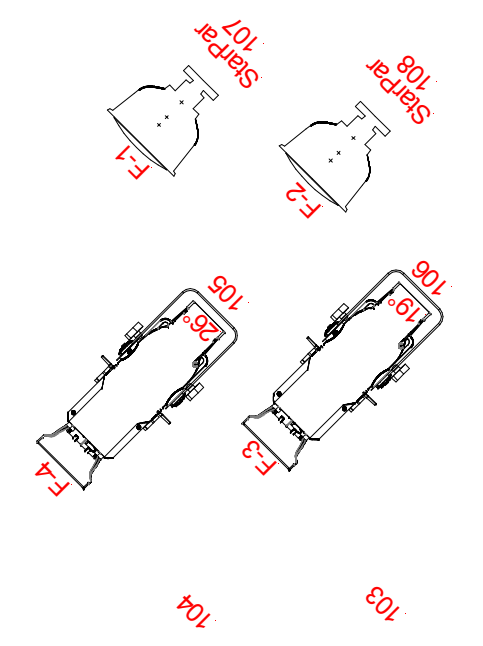
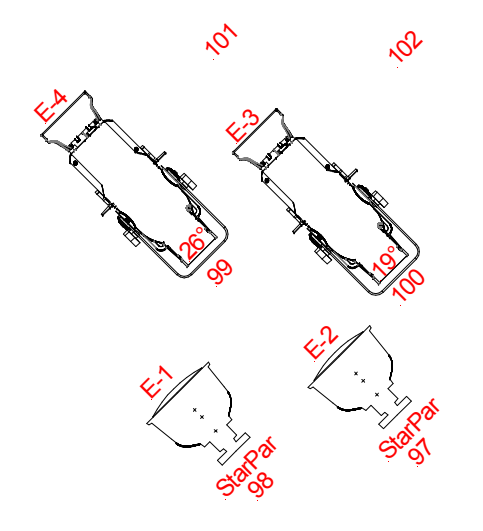
86 85 84 83 82 81 80 79 78 77 76 75 74 73 72 71 70 69 68 67 66 65 64 63



62 61 60 59 58 57 56 55 54 53 52 51 50 49 48 47 46 45 44 43 42 41 40 39



38 37 36 35 34 33 32 31 30 29 28 27 26 25 24 23 22 21 20 19 18 17 16 15



Omega
M E D I A
Omega Media
11017 Kemps Mill Road
Williamsport MD 21795
Ph. 240.420.3877
<http://www.omega-media.com>
steve@omega-media.com
Steve Walters

TITLE				MD Theatre Light Hang
DESCRIPTION				Theatrical Light Rep Hang
FILENAME				MD_Theatre_Light_Hang_11-30-15.vsd
DRAWN BY		DATE		
Al Mason		12/9/14		
SCALE		REVISED		
Not to Scale		11/30/15		
REVISIONS				
REV.	DESCRIPTION	DATE	BY	
2	Relocated Fixtures	11/15		